



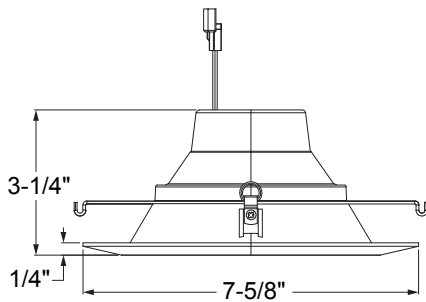
RLD Series LED Downlight Retrofit

6" LED Retrofit Baffle Trim Module

6RLD G4 Series



Dimensions



Ships with:



E26 Adapter

Project:
Fixture Type:
Location:
Contact/Phone:

Product Features

The 6" RLD LED module provides an affordable means to create a well lit environment with exceptional energy efficiency and near zero maintenance. Great for retrofit into existing downlight cans or for use in new construction and remodel applications. The LED module maintains at least 70% light output for 50,000 hours.

- Durable die-cast aluminum all-in-one design replaces traditional lamp and trim for energy savings
- Crisp baffle grooves and deep source regression minimizes glare and ceiling brightness
- Dedicated 6" trim size provides proper scale and aesthetics to replace 6" legacy trims with minimal flange thickness

Applications

- Retrofit into existing downlight cans or use as an economical LED solution for new construction downlighting in residential and light commercial applications
- Torsion springs are pre-installed for ease of installation and suitable for installation in 6" standard and shallow-height housings
- Wet rated and air-loc: perfect for showers and bathrooms

Performance

Delivered Lumens	Nominal 700L or 1000L
LED Color Temperature	2700K, 3000K
CRI	90+
Voltage	Dedicated 120V
Dimming	Dimmable flicker-free dimming from 100% to 5%

For a list of compatible dimmers see [JUNORLDSERIES-DIM](#)

Specifications

Aperture:	6"
Ceiling opening:	6.5"
Overlap trim:	7.625"
Height:	3.25"



RLD Series LED Downlight Retrofit

6" LED Retrofit Baffle Trim Module



ORDERING INFORMATION

Downlight

Example: 6RLD G4 07LM 27K 90CRI 120 FRPC WWH

Trim Series	Generation	Lumens	Color Temperature	Color Rendering Index	Voltage	Driver	Finish
6RLD 6" Juno Retrofit Downlight	G4 Generation 4	07LM 700 Nominal Lumens 10LM 1000 Nominal Lumens	27K 2700K 30K 3000K	90CRI 90+ CRI	120 120V	FRPC Forward/Reverse Phase Cut	WWH White, White Trim Ring

Housing options: Order as separate catalog number.

QC6	Quick Connect 6" LED new construction Downlight	IC23R	6" IC remodel housing, no plate
QC6R	Quick Connect 6" LED Remodel Downlight	L7X	6" new construction housing
IC21	6" IC shallow new construction housing	L7XR	6" remodel housing
IC21R	6" IC shallow remodel housing	L7XP	6" new construction shallow housing
IC22	6" IC new construction housing	L7XPR	6" remodel shallow housing
IC22R	6" IC remodel housing	LCP	6" new construction shallow housing
IC23	6" IC new construction housing, no plate		

Accessories: Order as separate catalog number.

V6RLTRB	Torsion receiver bracket kit
LEDRETROWHIP	Replacement E26 screw base adapter for installation into incandescent housings

Paris perfectly with Juno housings for a complete downlight solution: Order housings as separate catalog number.

QC6 Series - New Construction Quick Connect LED Housing



QC6R Series - New Construction Quick Connect LED Housing





RLD Series LED Downlight Retrofit

6" LED Retrofit Baffle Trim Module



Specifications

LED Downlight Retrofit Trim

Cast aluminum trim with white baffle and flange • All-in-one design where LED light engine mounts directly to trim for ease of installation into existing 6" recessed housings with medium base sockets • Provided with torsion springs.

LED Light Engine

LEDs are mounted directly to cast aluminum housing providing superior thermal management to ensure long life • 2700K and 3000K LED color temperature • 90 CRI minimum • Accommodates 120 volts AC at 60Hz • Dimmable with most standard incandescent, magnetic low voltage and electronic low voltage dimmers • For a list of compatible dimmers, see JUNORLDSERIES-DIM.

Electrical Connections

Trim features quick connect plug installed as standard for installation into QC6 and QC6R housings with mating connector • Trim ships with a medium base socket adapter whip for installation into 6" incandescent housings with medium base sockets.

Trim

Cast aluminum baffle trim with white finish • Diffusing lens conceals the LEDs from direct view and provides uniform aperture luminance.

Life

Rated for 50,000 hours at 70% lumen maintenance.

Labels

ENERGY STAR® Certified • Can be used to comply with 2019 Title 24, Part 6, JA8 high efficacy LED light source requirements • T20 Certified • UL and cUL classified for use with most standard UL listed 6" recessed incandescent housings and Juno QC6 and QC6R; see below for specific compatibility requirements • Damp location • Suitable for wet locations (indoor covered ceilings).

Testing

All reports are based on published industry procedures; field performance may differ from laboratory performance.

Warranty 5-year limited warranty. This is the only warranty provided and no other statements in this specification sheet create any warranty of any kind. All other express and implied warranties are disclaimed. Complete warranty terms located at: www.acuitybrands.com/CustomerResources/Terms_and_conditions.aspx

Note: Actual performance may differ as a result of end-user environment and application. Specifications subject to change without notice.

PERFORMANCE DATA

	700L		1000L	
	27K	30K	27K	30K
Input Voltage	120V	120V	120V	120V
Input Power Typical	8W	8W	12W	12W
Frequency	60Hz	60Hz	60Hz	60Hz
EMI/RFI	FCC Title 47, Part 15 Class B (consumer)	FCC Title 47, Part 15 Class B (consumer)	FCC Title 47, Part 15 Class B (consumer)	FCC Title 47, Part 15 Class B (consumer)
Minimum Starting Temp	-30°C (-22°F)	-30°C (-22°F)	-30°C (-22°F)	-30°C (-22°F)
CRI	90 min.	90 min.	90 min.	90 min.
CCT	2700K	3000K	2700K	3000K



RLD Series LED Downlight Retrofit

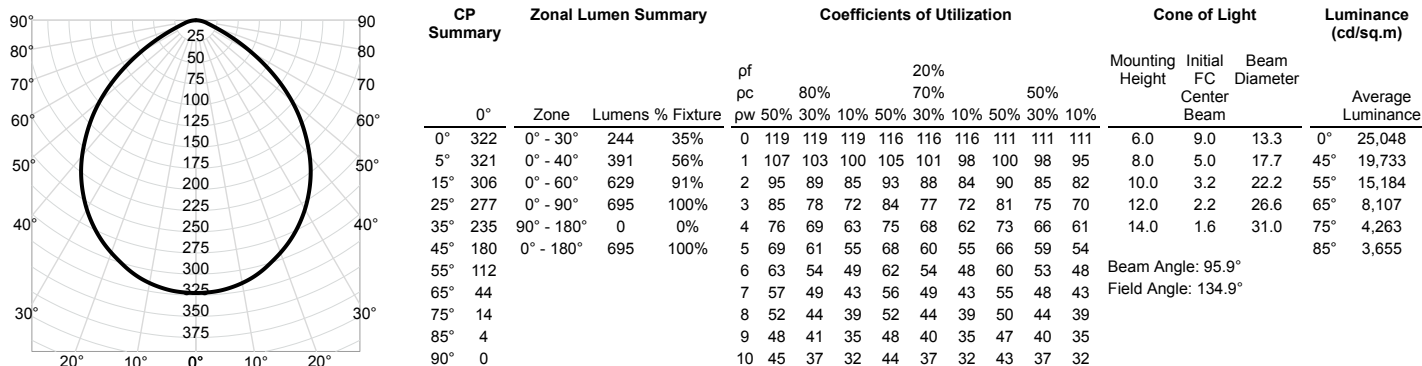
6" LED Retrofit Baffle Trim Module



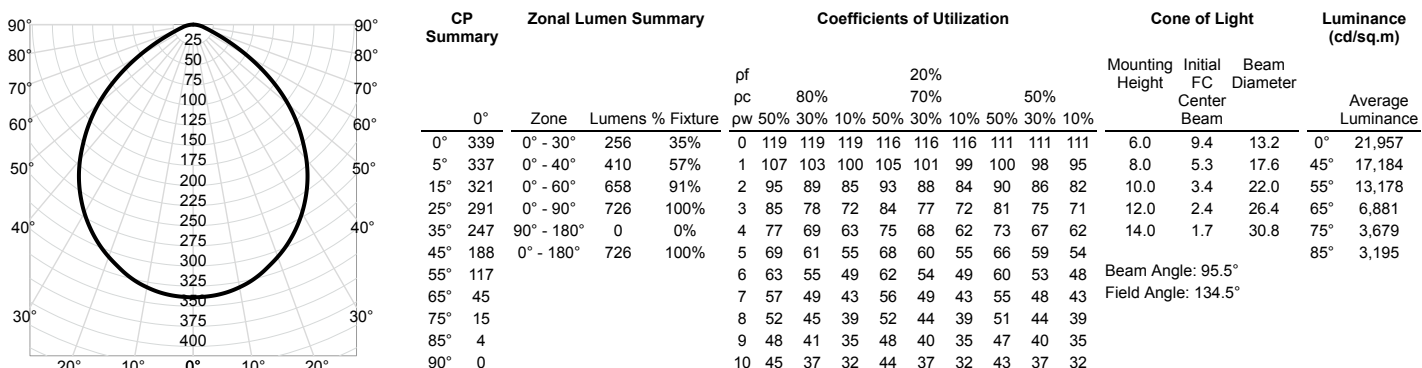
PHOTOMETRICS

Distribution Curve Distribution Data Output Data Coefficient of Utilization Illuminance Data at 30" Above Floor for a Single Luminaire

6RLD G4 07LM 27K 90CRI WWH, Input Watts: 7.6, Delivered Lumens: 695, LPW: 91.4, S/MH: 1.19, Test No: 21-009-2



6RLD G4 07LM 30K 90CRI WWH, Input Watts: 7.7, Delivered Lumens: 726, LPW: 94.3, S/MH: 1.18, Test No: 21-009-3





RLD Series LED Downlight Retrofit

6" LED Retrofit Baffle Trim Module



PHOTOMETRICS

Distribution Curve

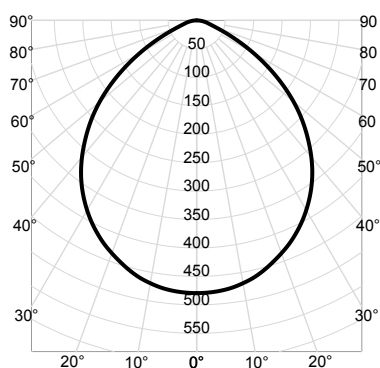
Distribution Data

Output Data

Coefficient of Utilization

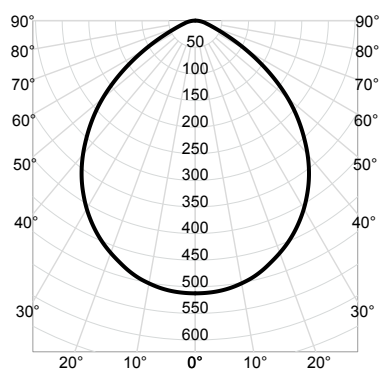
Illuminance Data at 30' Above Floor for a Single Luminaire

6RLD G4 10LM 27K 90CRI WWH, Input Watts: 11.7, Delivered Lumens: 1043, LPW: 89.1, S/MH: 1.19, Test No: 21-009-4



0°	CP Summary				Zonal Lumen Summary										Coefficients of Utilization										Cone of Light			Luminance (cd/sq.m)	
	Zone	Lumens	% Fixture		pf	80%					70%					50%					Mounting Height	Initial FC Center Beam	Beam Diameter	0°	Average Luminance				
					pc	50%	30%	10%	50%	30%	10%	50%	30%	10%	50%	30%	10%												
0°	479	0° - 30°	364	35%	0	119	119	119	116	116	116	111	111	111	6.0	13.3	13.4	0°	31,050										
5°	477	0° - 40°	583	56%	1	107	103	100	105	101	98	100	98	95	8.0	7.5	17.9	45°	24,704										
15°	455	0° - 60°	942	90%	2	95	89	84	93	88	83	90	85	82	10.0	4.8	22.4	55°	19,151										
25°	413	0° - 90°	1,043	100%	3	85	78	72	83	77	72	81	75	70	12.0	3.3	26.9	65°	10,452										
35°	352	90° - 180°	0	0%	4	76	68	62	75	68	62	73	66	61	14.0	2.4	31.3	75°	5,405										
45°	270	0° - 180°	1,043	100%	5	69	61	55	68	60	54	66	59	54				85°	4,682										
55°	170				6	62	54	48	62	54	48	60	53	48															
65°	68				7	57	49	43	56	48	43	55	48	43															
75°	22				8	52	44	39	52	44	39	50	43	38															
85°	6				9	48	40	35	48	40	35	46	40	35															
90°	0				10	45	37	32	44	37	32	43	36	32															

6RLD G4 10LM 30K 90CRI WWH, Input Watts: 11.6, Delivered Lumens: 1081, LPW: 93.2, S/MH: 1.18, Test No: 20-1027-5



0°	CP Summary				Zonal Lumen Summary										Coefficients of Utilization										Cone of Light			Luminance (cd/sq.m)	
	Zone	Lumens	% Fixture		pf	80%					70%					50%					Mounting Height	Initial FC Center Beam	Beam Diameter	0°	Average Luminance				
					pc	50%	30%	10%	50%	30%	10%	50%	30%	10%	50%	30%	10%												
0°	512	0° - 30°	388	36%	0	119	119	119	116	116	116	111	111	111	6.0	14.2	13.0	0°	33,187										
5°	510	0° - 40°	619	57%	1	107	103	100	105	102	99	101	98	96	8.0	8.0	17.3	45°	25,601										
15°	486	0° - 60°	983	91%	2	95	90	85	94	88	84	90	86	82	10.0	5.1	21.7	55°	19,027										
25°	439	0° - 90°	1,081	100%	3	85	78	73	84	77	72	81	75	71	12.0	3.6	26.0	65°	9,640										
35°	371	90° - 180°	0	0%	4	77	69	63	76	68	63	73	67	62	14.0	2.6	30.3	75°	5,455										
45°	280	0° - 180°	1,081	100%	5	69	61	55	68	61	55	66	60	55				85°	4,756										
55°	169				6	63	55	49	62	54	49	60	54	49															
65°	63				7	58	50	44	57	49	44	55	48	43															
75°	22				8	53	45	40	52	45	39	51	44	39															
85°	6				9	49	41	36	48	41	36	47	40	36															
90°	0				10	45	38	33	45	37	33	44	37	33															